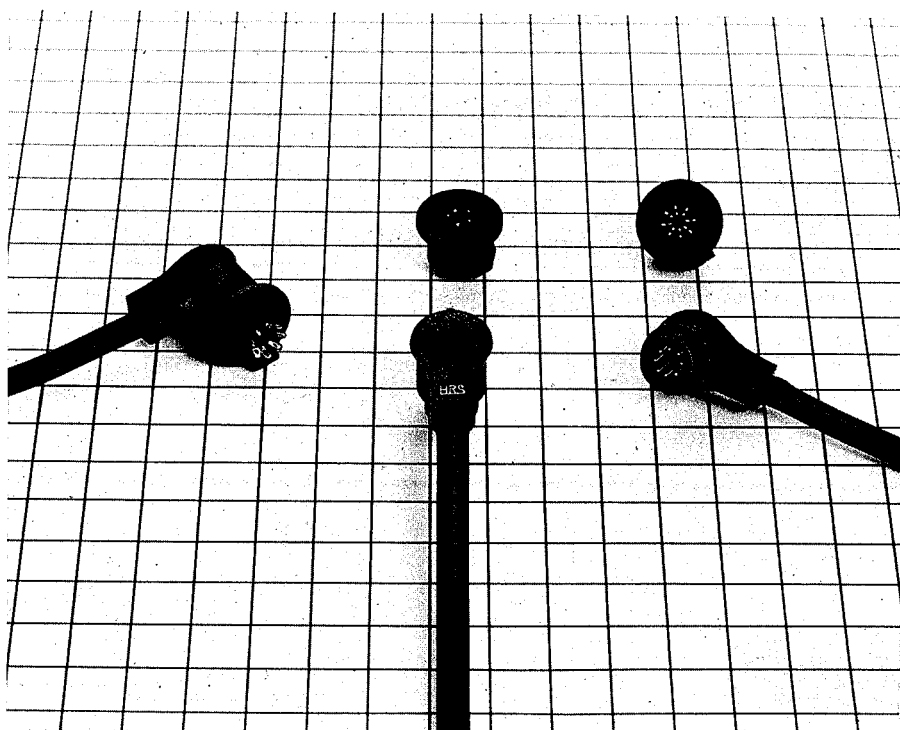


## RP6 SERIES PLASTIC CONNECTORS

### Scope

RP6 series are low cost and high performance plastic connectors which have been developed to meet the demand of miniaturization and light-weight of equipment. Its plug is right-angle wiring termination, type, which offers space-

saving in coupling height, and receptacle can be mounted by one touch pushing operation into a panel. This simple, easy to use connector is suitable for use on VTR camera and other handy electronic devices.



### Features

- (1) Plug is L-style features low height plug coupling of 15 mm above panel.
- (2) RP6 series are of two types, 5 and 8-pin. And 8-pin type has a sophisticated receptacle, RP6-10RA-8S, which is designed to mount behind a decorative panel, so as to produce a lower height in coupling.
- (3) The mounting of the receptacle is a one-touch pushing operation into a panel without any screw.
- (4) Plug shell is designed for easy-to-use operation for insertion and extraction.
- (5) The cable length or cable end treatment follows customer's specifications.

### Applications

Electronic View Finder of VTR Camera, Remote Control Device of VTR, Audio Equipment, and other portable

electronic equipment.

## Specifications

### Material and Finish

| Description | Material                  | Finish         |
|-------------|---------------------------|----------------|
| Molding     | PVC (UL94V-0)             | Black          |
| Insulator   | Polyamide resin (UL94V-1) | Black          |
| Male pin    | Copper alloy              | Silver plating |
| Female pin  | Phosphor bronze           | Silver plating |

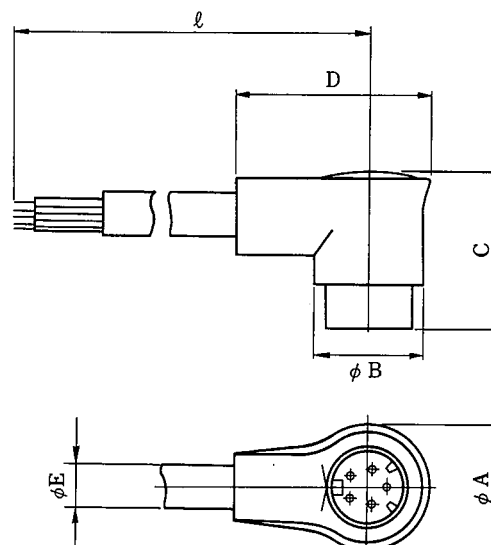
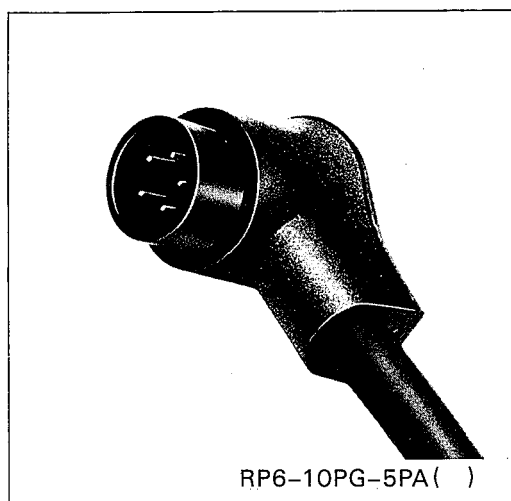
| Description           | Test data            |
|-----------------------|----------------------|
| Contact resistance    | 15mΩ max. at DC1     |
| Insulation resistance | 200MΩ min. at DC100V |
| Withstanding voltage  | AC150V for a minute  |
| Rated voltage         | AC30V, DC42V         |
| Current rating        | DC1A                 |

### Standard Cable Spec. (UL Style No. 2990)

| No. of pin       | 5                 | 8                 | 10                |
|------------------|-------------------|-------------------|-------------------|
| Outer diameter   | φ4.8              | φ4.8              | φ5.3              |
| No. of conductor | 5                 | 8                 | 9 (shielded)      |
| Construction     | 12/φ0.12 (AWG#26) | 12/φ0.12 (AWG#26) | 12/φ0.12 (AWG#26) |

Remark: Please specify cable length, terminal dimensions, termination, etc. when ordering.

## Plug

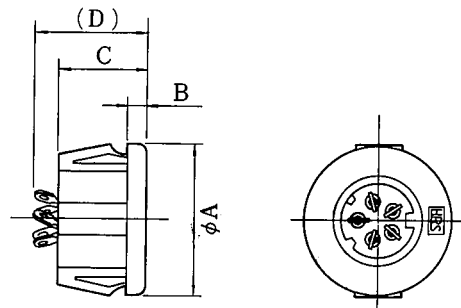
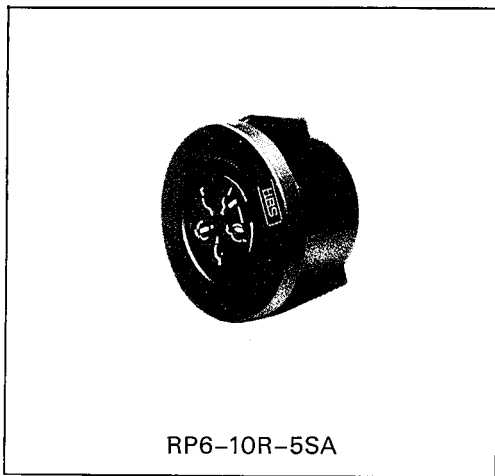


(An example in shape)

| HRS No.    | Part No.          | No. of pins | φA   | φB   | C    | D    | φE  | ℓ    |
|------------|-------------------|-------------|------|------|------|------|-----|------|
| 113-0152-3 | RP6-10PG-5PA(290) | 5           | 14.6 | 12.4 | 18   | 22.3 | 4.8 | 290  |
| 113-0160-1 | RP6-10PF-8P(1000) | 8           | 14.6 | 12.4 | 18   | 22.3 | 4.8 | 1000 |
| 113-0117-2 | RP6-12P-10PA(383) | 10          | 17   | 15   | 21.6 | 26   | 5.3 | 383  |

Remark: Numbers shown with ( ) is the cable length "ℓ" at millimeter.

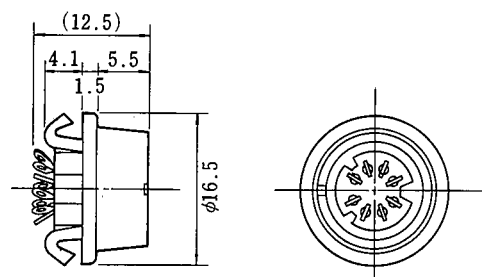
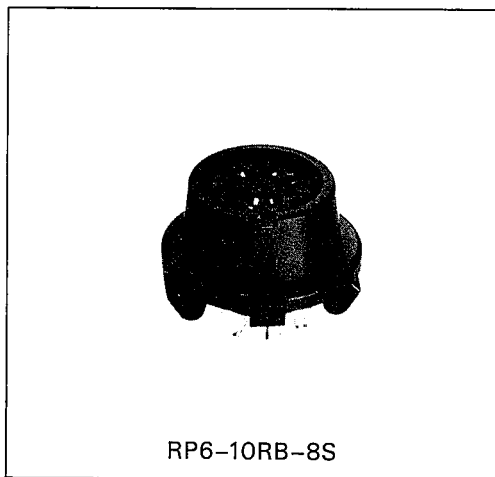
## Receptacle



(An example in shape)

| HRS No.       | Part No.       | No. of pins | φA | B | C   | D  | Weight   | Remarks        |
|---------------|----------------|-------------|----|---|-----|----|----------|----------------|
| 113-0159-2    | RP6-10R-5SA    | 5           | 16 | 2 | 9.5 | 12 | About 2g |                |
| 113-0035-0    | RP6-10R-8S     | 8           | 16 | 2 | 9.5 | 12 | About 2g |                |
| 113-0035-0-03 | RP6-10R-8S(03) | 8           | 16 | 2 | 9.5 | 12 | About 2g | Solder plating |
| 113-0052-9    | RP6-12R-10S    | 10          | 18 | 2 | 9.5 | 12 | About 2g |                |

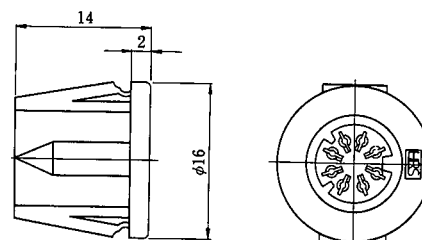
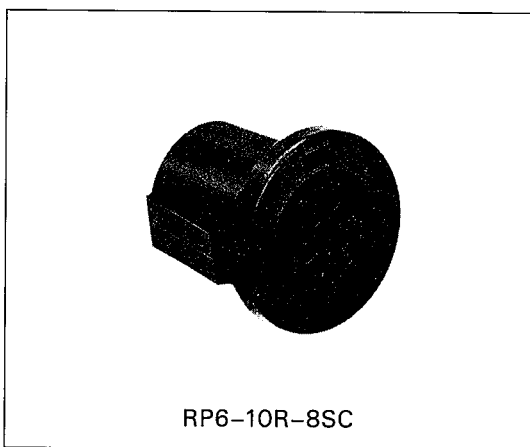
Remark: For mounting hole size, see page 121.



| HRS No.    | Part No.    | No. of pins | Weight   |
|------------|-------------|-------------|----------|
| 113-0066-3 | RP6-10RB-8S | 8           | About 2g |

Remark: For mounting hole size, see page 121.

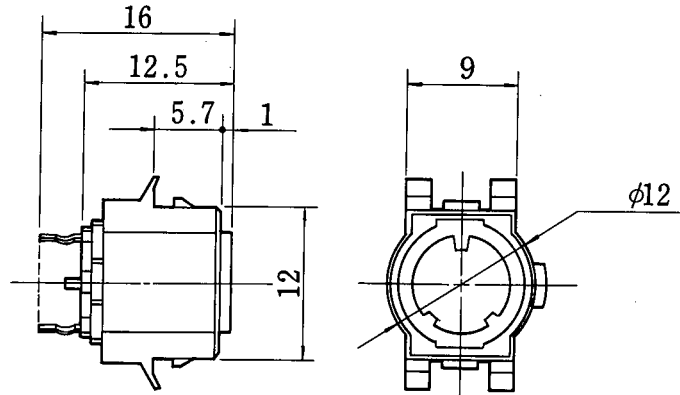
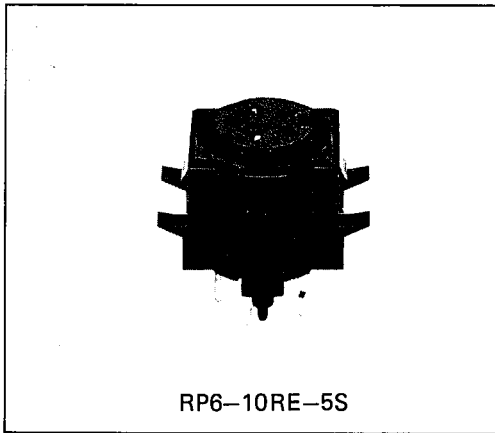
## Receptacle (Crimp Type)



| HRS No.    | Part No.    | No. of pins | Weight   |
|------------|-------------|-------------|----------|
| 113-0224-2 | RP6-10R-8SC | 8           | About 2g |

Remark: For mounting hole size, see page 121.

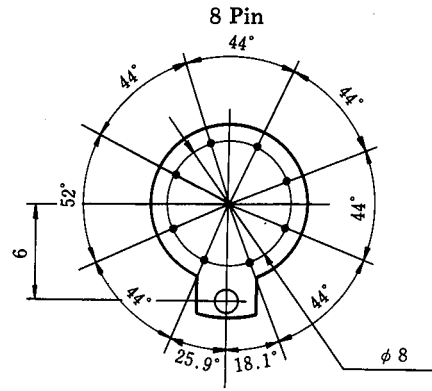
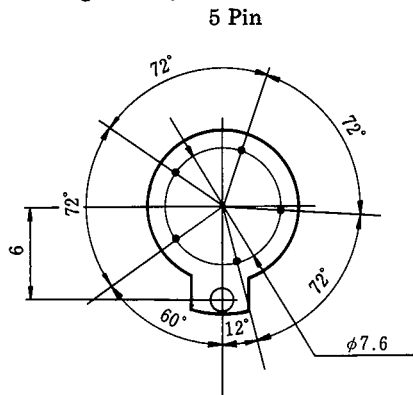
## Receptacle (Dip Type)



| HRS No.    | Part No.    | No. of pins | Weight   |
|------------|-------------|-------------|----------|
| 113-0136-7 | RP6-10RE-5S | 5           | About 2g |
| 113-0137-0 | RP6-10RE-8S | 8           | About 2g |

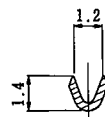
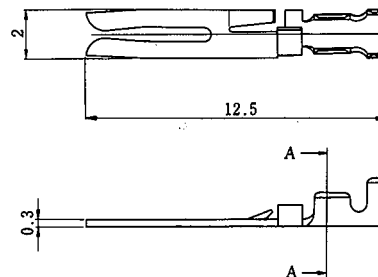
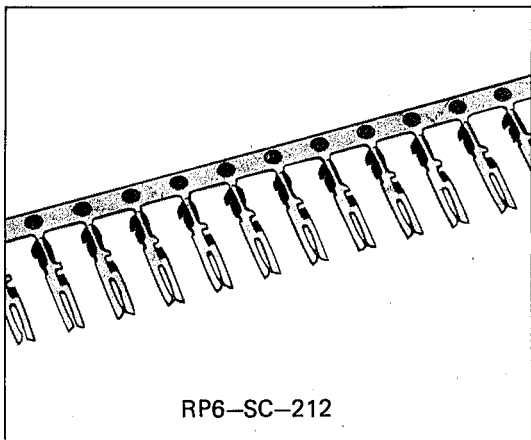
Remark: For mounting hole size, see page 121.

### (Dip post arrangement)



Remark: Dimensions one viewing from the back side of PCB. (Through hole  $\phi 1$ )

### • Female Pin



| Type          | HRS No.    | Part No.   | Applicable wire |
|---------------|------------|------------|-----------------|
| Chain contact | 113-0228-3 | RP6-SC-212 | AWG#26~#30      |

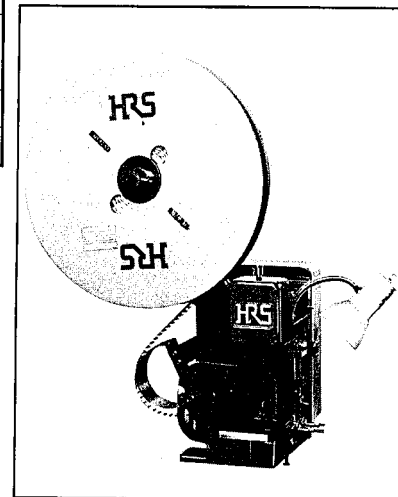
Remark: Bulk in bags of 100 pcs. Chain on reels of 10,000 pcs.

## Applicable tools

| Type      | Item                            | HRS No.    | Part No.       | Applicable terminal | Applicable wire and Applicable Cable diameter |
|-----------|---------------------------------|------------|----------------|---------------------|---|
| Automatic | Automatic crimping machine body | 901-0005-4 | CM-105         | -                   | -   |
|           | Applicator                      | 901-2011-8 | AP105-RP6-SC-1 | RP6-SC-212          | AWG#26~#30                                    |
|           | Extractor                       | 150-0039-0 | RP6-SC-TP      | -                   | -   |



Extraction Tool



Auto Crimp Tool  
CM-105

## Panel Cutout

